

# LF Series / Performance Data

Leading the World best

## LF Series : 50Hz, 3.0kV

Rated power	Frame No.	Speed	Rated current	Efficiency	Power factor	Torque	Break down torque	Locked-rotor torque	Locked-rotor current	Max. load inertia
P <sub>N</sub>		n <sub>N</sub>	I <sub>N</sub>	100% load	100% load	T <sub>N</sub>	T <sub>max</sub> / T <sub>N</sub>	T <sub>s</sub> / T <sub>N</sub>	I <sub>s</sub> / I <sub>N</sub>	wk <sup>2</sup>
kW		rpm	A	%	cos φ [%]	Nm	[%]	[%]	[%]	kgm <sup>2</sup>

### 3.0kV, 50Hz

2-Pole										
130	280	2961	31.4	93.4	85.4	419	210	60	550	13
150	280	2961	35.9	93.6	85.8	484	210	70	550	15
190	280	2961	44.9	94.1	86.5	612	220	80	550	18
200	315	2961	47.4	93.9	86.4	645	210	90	590	19
250	315	2961	58.6	94.4	86.9	806	220	100	590	23
300	315	2961	69.8	94.8	87.3	967	220	110	590	27
355	315	2961	82.0	95.2	87.5	1144	220	110	580	31
400	355	2961	92.4	95.2	87.5	1289	220	110	610	35
450	355	2961	103.5	95.5	87.6	1451	210	110	600	38
500	355	2961	114.7	95.7	87.7	1612	210	110	600	42
550	400	2961	126.2	95.6	87.7	1773	200	100	630	45
600	400	2961	137.3	95.8	87.8	1934	200	100	630	48
650	400	2961	148.4	95.9	87.9	2095	200	100	620	52
700	400	2961	159.4	95.9	88.1	2257	200	90	620	55
750	400	2961	170.5	96.0	88.2	2418	200	90	620	58
800	450	2961	181.8	95.9	88.3	2579	210	90	640	61
850	450	2961	192.5	96.0	88.5	2740	210	80	640	63
900	450	2961	203.4	96.0	88.7	2901	210	80	630	66
950	450	2961	214.0	96.1	88.9	3062	200	80	630	69
1030	450	2961	230.7	96.2	89.3	3320	200	70	620	73
1100	500	2961	246.4	96.1	89.4	3546	200	70	630	77
1200	500	2961	267.1	96.3	89.8	3868	200	70	620	81
1300	500	2961	288.4	96.4	90.0	4191	200	70	600	86
1420	500	2961	313.6	96.5	90.3	4578	200	60	580	91
4-Pole										
130	280	1481	34.8	92.2	77.9	838	200	100	640	81
150	280	1481	39.4	92.7	79.0	967	200	100	630	93
190	280	1481	48.4	93.4	80.9	1225	200	110	620	115
200	315	1481	50.9	93.3	81.1	1289	210	90	640	120
250	315	1481	62.0	93.9	82.7	1612	210	100	640	147
300	315	1481	73.1	94.3	83.8	1934	220	100	630	173
365	315	1481	87.6	94.8	84.6	2353	230	100	620	206
400	355	1481	96.0	94.7	84.7	2579	220	110	650	223
450	355	1481	107.5	94.9	84.9	2901	220	110	650	248
500	355	1481	119.0	95.1	85.0	3224	220	110	640	271
560	355	1481	133.2	95.2	85.0	3610	230	110	630	299
600	400	1481	141.7	95.2	85.6	3868	220	100	660	317
650	400	1481	153.7	95.2	85.5	4191	220	100	650	340
700	400	1481	165.5	95.3	85.4	4513	220	90	640	362
750	400	1481	177.2	95.4	85.4	4835	220	90	640	384
800	450	1481	188.3	95.4	85.7	5158	210	80	660	405
850	450	1481	199.9	95.5	85.7	5480	210	80	650	426
900	450	1481	211.2	95.6	85.8	5803	210	80	640	447
950	450	1481	222.7	95.7	85.8	6125	210	80	640	467
1000	450	1481	233.9	95.8	85.9	6447	210	70	630	488
1100	500	1481	256.4	95.9	86.1	7092	210	100	650	527
1200	500	1481	278.1	96.1	86.4	7737	210	90	640	565
1300	500	1481	300.0	96.2	86.7	8381	210	90	630	603
1450	500	1481	332.0	96.4	87.2	9349	220	80	620	657
1500	560	1481	349.3	96.2	85.9	9671	190	70	650	674
1600	560	1481	370.9	96.3	86.2	10316	200	70	650	709
1700	560	1481	393.2	96.3	86.4	10960	200	60	650	743
1800	560	1481	414.5	96.4	86.7	11605	210	60	640	775
1900	560	1481	436.5	96.4	86.9	12250	210	60	640	807
2000	560	1481	456.9	96.5	87.3	12895	210	60	640	839
2100	560	1481	477.1	96.7	87.6	13539	200	60	630	869
2200	560	1481	497.6	96.8	87.9	14184	200	60	630	899

Rated power	Frame No.	Speed	Rated current	Efficiency	Power factor	Torque	Break down torque	Locked-rotor torque	Locked-rotor current	Max. load inertia
P <sub>N</sub>		n <sub>N</sub>	I <sub>N</sub>	100% load	100% load	T <sub>N</sub>	T <sub>max</sub> / T <sub>N</sub>	T <sub>s</sub> / T <sub>N</sub>	I <sub>s</sub> / I <sub>N</sub>	wk <sup>2</sup>
kW		rpm	A	%	cos φ [%]	Nm	[%]	[%]	[%]	kgm <sup>2</sup>

### 3.0kV, 50Hz

6-Pole										
120	280	987	33.2	91.6	75.9	1161	220	130	630	203
150	280	987	40.3	92.3	77.7	1451	200	100	620	249
180	315	987	50.6	92.7	73.8	1741	230	90	640	295
200	315	987	55.6	93.0	74.5	1934	220	90	640	324
270	315	987	72.8	93.9	76.0	2611	200	80	630	426
300	355	987	78.5	94.1	78.2	2901	210	100	660	469
350	355	987	91.0	94.4	78.4	3385	210	100	650	539
425	355	987	109.8	94.8	78.6	4110	210	100	640	641
450	400	987	111.1	94.8	82.2	4352	200	90	650	675
500	400	987	123.1	95.0	82.3	4835	200	90	640	741
550	400	987	134.9	95.1	82.5	5319	210	90	640	806
630	400	987	151.8	95.3	83.8	6093	210	90	630	909
650	450	987	156.3	95.3	84.0	6286	200	80	660	934
700	450	987	167.3	95.4	84.4	6770	200	80	650	997
750	450	987	178.0	95.5	84.9	7253	200	70	650	1058
800	450	987	187.5	95.6	85.9	7737	190	70	640	1119
850	500	987	198.4	95.0	86.8	8220	190	70	660	1180
900	500	987	208.4	95.1	87.4	8704	190	70	660	1239
950	500	987	218.5	95.2	87.9	9187	190	70	660	1298
1000	500	987	228.7	95.3	88.3	9671	180	60	650	1356
1100	500	987	249.3	95.5	88.9	10638	180	60	650	1470
1250	500	987	281.5	95.8	89.2	12089	190	60	640	1638
1300	560	987	302.2	95.7	86.5	12572	180	70	670	1692
1400	560	987	326.3	95.8	86.2	13539	180	70	660	1800
1500	560	987	350.0	95.9	86.0	14506	190	70	660	1905
1600	560	987	374.2	95.9	85.8	15473	190	70	650	2009
1700	560	987	396.7	96.0	85.9	16441	190	70	650	2111
1850	560	987	428.3	96.0	86.6	17891	190	60	640	2260
8-Pole										
100	280	740	32.0	91.8	65.5	1289	220	100	550	344
140	315	740	41.1	92.3	71.1	1805	210	90	640	470
180	315	740	51.7	92.8	72.2	2321	210	100	640	593
210	315	740	59.8	93.1	72.6	2708	220	100	630	684
250	355	740	65.3	93.4	78.9	3224	210	90	650	802
300	355	740	77.5	93.8	79.4	3868	220	90	650	948
350	400	740	90.0	94.1	79.5	4513	220	70	620	1090
400	400	740	102.7	94.4	79.4	5158	220	70	610	1231
465	400	740	119.5	94.7	79.1	5996	230	70	610	1410
500	450	740	123.9	94.8	81.9	6447	190	90	610	1505
550	450	740	136.5	94.9	81.7	7092	190	90	610	1639
600	450	740	148.8	95.1	81.6	7737	190	90	610	1772
670	450	740	166.0	95.3	81.5	8639	190	90	600	1955
700	500	740	173.2	95.3	81.6	9026	190	70	640	2032
750	500	740	185.2	95.4	81.7	9671	190	70	630	2160
800	500	740	196.8	95.5	81.9	10316	190	70	630	2287
850	500	740	208.4	95.6	82.1	10960	190	70	630	2412
940	500	740	228.9	95.7	82.6	12121	190	70	620	2634
950	560	740	232.1	95.6	82.4	12250	190	60	650	2659
1000	560	740	243.2	95.7	82.7	12895	190	60	640	2780
1100	560	740	265.3	95.9	83.2	14184	180	60	640	3020
1200	560	740	287.8	96.0	83.6	15473	190	60	630	3256
1300	560	740	310.3	96.1	83.9	16763	190	60	620	3487
1400	560	740	333.0	96.2	84.1	18052	180	50	620	3715

\* Note - F/B, Ambient temperature 40°C  
 - Above technical data are only design values and shall be guaranteed with tolerance of applicable standard. (IEC tolerance is applied.)

# LF Series / Performance Data

Leading the World best

## LF Series : 50Hz, 6.0kV

Rated power	Frame No.	Speed	Rated current	Efficiency	Power factor	Torque	Break down torque	Locked-rotor torque	Locked-rotor current	Max. load inertia
P <sub>N</sub>		n <sub>N</sub>	I <sub>N</sub>	100% load	100% load	T <sub>N</sub>	T <sub>max</sub> / T <sub>N</sub>	T <sub>s</sub> / T <sub>N</sub>	I <sub>s</sub> / I <sub>N</sub>	wk <sup>2</sup>
kW		rpm	A	%	cos φ [%]	Nm	[%]	[%]	[%]	kgm <sup>2</sup>

### 6.0kV, 50Hz

2-Pole										
130	280	2961	15.7	93.4	85.4	419	210	60	550	13
150	280	2961	18.0	93.6	85.8	484	210	70	550	15
190	280	2961	22.5	94.1	86.5	612	220	80	550	18
200	315	2961	23.7	93.9	86.4	645	210	90	590	19
250	315	2961	29.3	94.4	86.9	806	220	100	590	23
300	315	2961	34.9	94.8	87.3	967	220	110	590	27
355	315	2961	41.0	95.2	87.5	1144	220	110	580	31
400	355	2961	46.2	95.2	87.5	1289	220	110	610	35
450	355	2961	51.8	95.5	87.6	1451	210	110	600	38
500	355	2961	57.3	95.7	87.7	1612	210	110	600	42
550	400	2961	63.1	95.6	87.7	1773	200	100	630	45
600	400	2961	68.6	95.8	87.8	1934	200	100	630	48
650	400	2961	74.2	95.9	87.9	2095	200	100	620	52
700	400	2961	79.7	95.9	88.1	2257	200	90	620	55
750	400	2961	85.2	96.0	88.2	2418	200	90	620	58
800	450	2961	90.9	95.9	88.3	2579	210	90	640	61
850	450	2961	96.3	96.0	88.5	2740	210	80	640	63
900	450	2961	101.7	96.0	88.7	2901	210	80	630	66
950	450	2961	107.0	96.1	88.9	3062	200	80	630	69
1030	450	2961	115.4	96.2	89.3	3320	200	70	620	73
1100	500	2961	123.2	96.1	89.4	3546	200	70	630	77
1200	500	2961	133.5	96.3	89.8	3868	200	70	620	81
1300	500	2961	144.2	96.4	90.0	4191	200	70	600	86
1420	500	2961	156.8	96.5	90.3	4578	200	60	580	91
4-Pole										
130	280	1481	17.4	92.2	77.9	838	200	100	640	81
150	280	1481	19.7	92.7	79.0	967	200	100	630	93
190	280	1481	24.2	93.4	80.9	1225	200	110	620	115
200	315	1481	25.4	93.3	81.1	1289	210	90	640	120
250	315	1481	31.0	93.9	82.7	1612	210	100	640	147
300	315	1481	36.5	94.3	83.8	1934	220	100	630	173
365	315	1481	43.8	94.8	84.6	2353	230	100	620	206
400	355	1481	48.0	94.7	84.7	2579	220	110	650	223
450	355	1481	53.7	94.9	84.9	2901	220	110	650	248
500	355	1481	59.5	95.1	85.0	3224	220	110	640	271
560	355	1481	66.6	95.2	85.0	3610	230	110	630	299
600	400	1481	70.8	95.2	85.6	3868	220	100	660	317
650	400	1481	76.8	95.2	85.5	4191	220	100	650	340
700	400	1481	82.8	95.3	85.4	4513	220	90	640	362
750	400	1481	88.6	95.4	85.4	4835	220	90	640	384
800	450	1481	94.2	95.4	85.7	5158	210	80	660	405
850	450	1481	99.9	95.5	85.7	5480	210	80	650	426
900	450	1481	105.6	95.6	85.8	5803	210	80	640	447
950	450	1481	111.3	95.7	85.8	6125	210	80	640	467
1000	450	1481	116.9	95.8	85.9	6447	210	70	630	488
1100	500	1481	128.2	95.9	86.1	7092	210	100	650	527
1200	500	1481	139.1	96.1	86.4	7737	210	90	640	565
1300	500	1481	150.0	96.2	86.7	8381	210	90	630	603
1450	500	1481	166.0	96.4	87.2	9349	220	80	620	657
1500	560	1481	174.7	96.2	85.9	9671	190	70	650	674
1600	560	1481	185.5	96.3	86.2	10316	200	70	650	709
1700	560	1481	196.6	96.3	86.4	10960	200	60	650	743
1800	560	1481	207.2	96.4	86.7	11605	210	60	640	775
1900	560	1481	218.2	96.4	86.9	12250	210	60	640	807
2000	560	1481	228.4	96.5	87.3	12895	210	60	640	839
2100	560	1481	238.5	96.7	87.6	13539	200	60	630	869
2200	560	1481	248.8	96.8	87.9	14184	200	60	630	899

Rated power	Frame No.	Speed	Rated current	Efficiency	Power factor	Torque	Break down torque	Locked-rotor torque	Locked-rotor current	Max. load inertia
P <sub>N</sub>		n <sub>N</sub>	I <sub>N</sub>	100% load	100% load	T <sub>N</sub>	T <sub>max</sub> / T <sub>N</sub>	T <sub>s</sub> / T <sub>N</sub>	I <sub>s</sub> / I <sub>N</sub>	wk <sup>2</sup>
kW		rpm	A	%	cos φ [%]	Nm	[%]	[%]	[%]	kgm <sup>2</sup>

### 6.0kV, 50Hz

6-Pole										
120	280	987	16.6	91.6	75.9	1161	220	130	630	203
150	280	987	20.1	92.3	77.7	1451	200	100	620	249
180	315	987	25.3	92.7	73.8	1741	230	90	640	295
200	315	987	27.8	93.0	74.5	1934	220	90	640	324
270	315	987	36.4	93.9	76.0	2611	200	80	630	426
300	355	987	39.2	94.1	78.2	2901	210	100	660	469
350	355	987	45.5	94.4	78.4	3385	210	100	650	539
425	355	987	54.9	94.8	78.6	4110	210	100	640	641
450	400	987	55.6	94.8	82.2	4352	200	90	650	675
500	400	987	61.5	95.0	82.3	4835	200	90	640	741
550	400	987	67.5	95.1	82.5	5319	210	90	640	806
630	400	987	75.9	95.3	83.8	6093	210	90	630	909
650	450	987	78.1	95.3	84.0	6286	200	80	660	934
700	450	987	83.7	95.4	84.4	6770	200	80	650	997
750	450	987	89.0	95.5	84.9	7253	200	70	650	1058
800	450	987	93.7	95.6	85.9	7737	190	70	640	1119
850	500	987	99.2	95.0	86.8	8220	190	70	660	1180
900	500	987	104.2	95.1	87.4	8704	190	70	660	1239
950	500	987	109.2	95.2	87.9	9187	190	70	660	1298
1000	500	987	114.3	95.3	88.3	9671	180	60	650	1356
1100	500	987	124.7	95.5	88.9	10638	180	60	650	1470
1250	500	987	140.8	95.8	89.2	12089	190	60	640	1638
1300	560	987	151.1	95.7	86.5	12572	180	70	670	1692
1400	560	987	163.1	95.8	86.2	13539	180	70	660	1800
1500	560	987	175.0	95.9	86.0	14506	190	70	660	1905
1600	560	987	187.1	95.9	85.8	15473	190	70	650	2009
1700	560	987	198.4	96.0	85.9	16441	190	70	650	2111
1850	560	987	214.1	96.0	86.6	17891	190	60	640	2260
8-Pole										
100	280	740	16.0	91.8	65.5	1289	220	100	550	344
140	315	740	20.5	92.3	71.1	1805	210	90	640	470
180	315	740	25.9	92.8	72.2	2321	210	100	640	593
210	315	740	29.9	93.1	72.6	2708	220	100	630	684
250	355	740	32.6	93.4	78.9	3224	210	90	650	802
300	355	740	38.8	93.8	79.4	3868	220	90	650	948
350	400	740	45.0	94.1	79.5	4513	220	70	620	1090
400	400	740	51.4	94.4	79.4	5158	220	70	610	1231
465	400	740	59.7	94.7	79.1	5996	230	70	610	1410
500	450	740	62.0	94.8	81.9	6447	190	90	610	1505
550	450	740	68.3	94.9	81.7	7092	190	90	610	1639
600	450	740	74.4	95.1	81.6	7737	190	90	610	1772
670	450	740	83.0	95.3	81.5	8639	190	90	600	1955
700	500	740	86.6	95.3	81.6	9026	190	70	640	2032
750	500	740	92.6	95.4	81.7	9671	190	70	630	2160
800	500	740	98.4	95.5	81.9	10316	190	70	630	2287
850	500	740	104.2	95.6	82.1	10960	190	70	630	2412
940	500	740	114.4	95.7	82.6	12121	190	70	620	2634
950	560	740	116.0	95.6	82.4	12250	190	60	650	2659
1000	560	740	121.6	95.7	82.7	12895	190	60	640	2780
1100	560	740	132.7	95.9	83.2	14184	180	60	640	3020
1200	560	740	143.9	96.0	83.6	15473	190	60	630	3256
1300	560	740	155.1	96.1	83.9	16763	190	60	620	3487
1400	560	740	166.5	96.2	84.1	18052	180	50	620	3715

\* Note - F/B, Ambient temperature 40°C  
 - Above technical data are only design values and shall be guaranteed with tolerance of applicable standard. (IEC tolerance is applied.)

# LF Series / Performance Data

Leading the World best

## LF Series : 60Hz, 3.3kV

Rated power	Frame No.	Speed	Rated current	Efficiency	Power factor	Torque	Break down torque	Locked-rotor torque	Locked-rotor current	Max. load inertia
P <sub>N</sub>		n <sub>N</sub>	I <sub>N</sub>	100% load	100% load	T <sub>N</sub>	T <sub>max</sub> / T <sub>N</sub>	T <sub>s</sub> / T <sub>N</sub>	I <sub>s</sub> / I <sub>N</sub>	wk <sup>2</sup>
kW		rpm	A	%	cos Φ [%]	Nm	[%]	[%]	[%]	kgm <sup>2</sup>

### 3.3kV, 60Hz

2-Pole										
150	280	3553	33.1	93.2	85.1	403	200	50	650	11
180	280	3553	39.3	93.6	85.6	484	210	60	650	13
220	280	3553	47.5	94.1	86.2	591	230	70	630	15
250	315	3553	53.8	94.2	86.3	672	210	90	640	17
300	315	3553	63.9	94.6	86.8	806	220	100	650	20
350	315	3553	74.1	94.9	87.1	940	230	100	650	23
410	315	3553	86.1	95.3	87.4	1101	220	100	650	26
450	355	3553	94.4	95.3	87.5	1209	220	110	670	28
500	355	3553	104.6	95.5	87.6	1343	210	110	660	30
560	355	3553	116.7	95.6	87.8	1504	200	110	650	33
600	400	3553	125.1	95.6	87.8	1612	190	70	630	35
650	400	3553	135.2	95.7	87.9	1746	190	70	620	38
700	400	3553	145.1	95.8	88.1	1880	190	70	620	40
750	400	3553	155.3	95.8	88.2	2015	190	70	610	42
830	400	3553	170.9	96.0	88.5	2230	190	80	610	45
850	450	3553	175.4	95.8	88.5	2283	190	80	640	46
900	450	3553	185.1	95.9	88.7	2418	190	80	640	48
950	450	3553	194.7	96.0	88.9	2552	190	70	640	50
1000	450	3553	204.5	96.0	89.1	2686	190	70	640	52
1140	450	3553	231.4	96.1	89.7	3062	190	70	630	57
1200	500	3553	243.8	96.0	89.7	3224	210	70	650	59
1300	500	3553	263.2	96.0	90.0	3492	210	70	630	63
1400	500	3553	282.6	96.1	90.2	3761	200	70	610	66
1560	500	3553	312.2	96.4	90.7	4191	210	70	610	71
4-Pole										
150	280	1777	35.2	93.0	80.2	806	240	120	650	59
180	280	1777	41.6	93.6	80.8	967	230	120	620	70
220	280	1777	50.4	94.2	81.0	1182	210	130	600	84
250	315	1777	58.0	93.5	80.6	1343	220	80	650	94
300	315	1777	68.3	94.0	81.8	1612	210	90	640	110
350	315	1777	78.7	94.4	82.4	1880	210	90	630	126
440	315	1777	98.1	95.0	82.6	2364	220	90	630	154
450	355	1777	97.4	94.8	85.3	2418	200	100	640	157
500	355	1777	107.4	95.0	85.7	2686	210	100	640	172
550	355	1777	117.7	95.1	86.0	2955	210	100	630	187
640	355	1777	136.5	95.3	86.1	3439	220	90	630	212
650	400	1777	137.0	95.6	86.8	3492	210	80	640	215
700	400	1777	147.6	95.7	86.7	3761	210	80	650	229
750	400	1777	158.2	95.8	86.6	4030	210	80	660	242
830	400	1777	175.3	95.9	86.4	4459	210	80	670	263
850	450	1777	179.0	95.7	86.8	4567	210	90	650	268
900	450	1777	189.6	95.8	86.7	4835	210	90	640	281
950	450	1777	200.1	95.8	86.7	5104	210	80	640	294
1000	450	1777	210.4	95.9	86.7	5373	210	80	630	306
1100	450	1777	231.2	96.0	86.7	5910	210	80	610	330
1200	500	1777	252.5	96.0	86.6	6447	210	70	630	354
1300	500	1777	272.7	96.1	86.8	6985	210	70	620	376
1400	500	1777	292.4	96.3	87.0	7522	210	70	610	398
1500	500	1777	312.2	96.4	87.2	8059	210	70	600	420
1600	500	1777	331.9	96.5	87.4	8596	200	70	600	440
1700	560	1777	358.6	96.1	86.3	9134	220	50	650	460
1800	560	1777	378.8	96.1	86.5	9671	220	50	660	480
1900	560	1777	399.0	96.2	86.6	10208	230	50	670	499
2000	560	1777	418.6	96.3	86.8	10745	230	50	680	517
2100	560	1777	438.0	96.3	87.1	11283	230	50	680	535
2200	560	1777	456.8	96.4	87.4	11820	230	50	690	552
2350	560	1777	484.7	96.5	87.9	12626	230	50	690	577

Rated power	Frame No.	Speed	Rated current	Efficiency	Power factor	Torque	Break down torque	Locked-rotor torque	Locked-rotor current	Max. load inertia
P <sub>N</sub>		n <sub>N</sub>	I <sub>N</sub>	100% load	100% load	T <sub>N</sub>	T <sub>max</sub> / T <sub>N</sub>	T <sub>s</sub> / T <sub>N</sub>	I <sub>s</sub> / I <sub>N</sub>	wk <sup>2</sup>
kW		rpm	A	%	cos Φ [%]	Nm	[%]	[%]	[%]	kgm <sup>2</sup>

### 3.3kV, 60Hz

6-Pole										
150	280	1184	36.0	92.6	78.7	1209	210	140	570	160
170	280	1184	40.4	93.1	79.0	1370	200	130	580	179
200	315	1184	52.4	92.7	72.1	1612	220	100	630	208
250	315	1184	64.6	93.5	72.4	2015	230	90	620	254
325	315	1184	83.3	94.3	72.4	2619	220	90	620	322
350	355	1184	79.8	94.4	81.3	2821	200	80	650	344
400	355	1184	91.0	94.7	81.2	3224	200	80	650	388
450	355	1184	102.2	94.9	81.2	3627	200	80	640	430
510	355	1184	115.5	95.1	81.2	4110	200	80	630	480
550	400	1184	121.6	95.1	83.2	4433	200	80	650	513
600	400	1184	132.1	95.2	83.5	4835	200	80	640	554
690	400	1184	150.5	95.4	84.1	5561	200	80	630	625
700	450	1184	150.8	95.3	85.2	5641	200	70	650	633
750	450	1184	160.8	95.3	85.6	6044	200	70	640	672
800	450	1184	170.4	95.4	86.1	6447	200	70	640	710
850	450	1184	179.6	95.5	86.7	6850	190	60	630	748
900	450	1184	188.9	95.6	87.2	7253	190	60	630	785
950	500	1184	200.2	94.9	87.5	7656	190	60	650	821
1000	500	1184	209.3	95.0	88.0	8059	190	60	650	858
1100	500	1184	227.7	95.2	88.8	8865	180	60	640	929
1200	500	1184	246.4	95.4	89.3	9671	180	60	640	998
1360	500	1184	277.5	95.7	89.6	10960	190	60	630	1106
1400	560	1184	294.8	95.6	86.9	11283	170	70	660	1132
1500	560	1184	315.9	95.7	86.8	12089	170	70	650	1197
1600	560	1184	337.8	95.7	86.6	12895	170	60	650	1261
1700	560	1184	359.3	95.8	86.4	13700	180	60	640	1323
1800	560	1184	380.5	95.8	86.4	14506	180	60	640	1384
1900	560	1184	400.2	95.8	86.7	15312	180	60	630	1444
2000	560	1184	419.3	95.8	87.1	16118	180	60	630	1503
8-Pole										
110	280	888	27.9	92.0	75.1	1182	190	70	610	242
150	315	888	37.3	92.4	76.2	1612	210	70	620	322
200	315	888	48.9	93.1	76.9	2149	190	70	610	419
250	315	888	60.8	93.6	76.9	2686	180	70	600	514
300	355	888	70.0	93.9	79.9	3224	210	80	620	607
360	355	888	83.1	94.3	80.4	3868	210	80	620	716
400	400	888	94.4	94.4	78.5	4298	210	80	630	787
450	400	888	106.0	94.6	78.5	4835	210	80	630	875
540	400	888	127.0	95.0	78.3	5803	220	80	620	1029
550	450	888	123.4	94.9	82.2	5910	200	90	640	1046
600	450	888	134.6	95.0	82.1	6447	200	90	640	1130
650	450	888	146.0	95.1	81.9	6985	200	90	630	1213
700	450	888	157.3	95.2	81.8	7522	200	80	630	1294
770	450	888	172.6	95.4	81.8	8274	200	80	620	1407
800	500	888	177.8	95.3	82.6	8596	200	60	640	1455
850	500	888	188.5	95.4	82.7	9134	200	60	640	1534
900	500	888	199.1	95.5	82.8	9671	190	60	640	1612
950	500	888	209.7	95.6	82.9	10208	190	60	630	1689
1000	500	888	220.0	95.7	83.1	10745	190	60	630	1765
1100	560	888	244.1	95.7	82.4	11820	180	60	640	1915
1200	560	888	264.4	95.9	82.8	12895	180	60	640	2063
1300	560	888	284.4	96.0	83.3	13969	180	60	640	2207
1400	560	888	304.1	96.1	83.8	15044	180	60	630	2349
1500	560	888	324.7	96.1	84.1	16118	180	60	630	2488

\* Note - F/B, Ambient temperature 40°C  
 - Above technical data are only design values and shall be guaranteed with tolerance of applicable standard. (IEC tolerance is applied.)

# LF Series / Performance Data

Leading the World best

## LF Series : 60Hz, 4.16kV

Rated power	Frame No.	Speed	Rated current	Efficiency	Power factor	Torque	Break down torque	Locked-rotor torque	Locked-rotor current	Max. load inertia
P <sub>N</sub>		n <sub>N</sub>	I <sub>N</sub>	100% load	100% load	T <sub>N</sub>	T <sub>max</sub> / T <sub>N</sub>	T <sub>s</sub> / T <sub>N</sub>	I <sub>s</sub> / I <sub>N</sub>	wk <sup>2</sup>
kW		rpm	A	%	cos Φ [%]	Nm	[%]	[%]	[%]	kgm <sup>2</sup>

### 4.16kV, 60Hz

2-Pole										
150	280	3553	26.2	93.2	85.1	403	200	50	650	11
180	280	3553	31.2	93.6	85.6	484	210	60	650	13
220	280	3553	37.6	94.1	86.2	591	230	70	630	15
250	315	3553	42.7	94.2	86.3	672	210	90	640	17
300	315	3553	50.7	94.6	86.8	806	220	100	650	20
350	315	3553	58.8	94.9	87.1	940	230	100	650	23
410	315	3553	68.3	95.3	87.4	1101	220	100	650	26
450	355	3553	74.9	95.3	87.5	1209	220	110	670	28
500	355	3553	82.9	95.5	87.6	1343	210	110	660	30
560	355	3553	92.6	95.6	87.8	1504	200	110	650	33
600	400	3553	99.2	95.6	87.8	1612	190	70	630	35
650	400	3553	107.2	95.7	87.9	1746	190	70	620	38
700	400	3553	115.1	95.8	88.1	1880	190	70	620	40
750	400	3553	123.2	95.8	88.2	2015	190	70	610	42
830	400	3553	135.6	96.0	88.5	2230	190	80	610	45
850	450	3553	139.1	95.8	88.5	2283	190	80	640	46
900	450	3553	146.8	95.9	88.7	2418	190	80	640	48
950	450	3553	154.5	96.0	88.9	2552	190	70	640	50
1000	450	3553	162.3	96.0	89.1	2686	190	70	640	52
1140	450	3553	183.5	96.1	89.7	3062	190	70	630	57
1200	500	3553	193.4	96.0	89.7	3224	210	70	650	59
1300	500	3553	208.8	96.0	90.0	3492	210	70	630	63
1400	500	3553	224.2	96.1	90.2	3761	200	70	610	66
1560	500	3553	247.6	96.4	90.7	4191	210	70	610	71
4-Pole										
150	280	1777	27.9	93.0	80.2	806	240	120	650	59
180	280	1777	33.0	93.6	80.8	967	230	120	620	70
220	280	1777	40.0	94.2	81.0	1182	210	130	600	84
250	315	1777	46.0	93.5	80.6	1343	220	80	650	94
300	315	1777	54.1	94.0	81.8	1612	210	90	640	110
350	315	1777	62.4	94.4	82.4	1880	210	90	630	126
440	315	1777	77.8	95.0	82.6	2364	220	90	630	154
450	355	1777	77.2	94.8	85.3	2418	200	100	640	157
500	355	1777	85.2	95.0	85.7	2686	210	100	640	172
550	355	1777	93.3	95.1	86.0	2955	210	100	630	187
640	355	1777	108.3	95.3	86.1	3439	220	90	630	212
650	400	1777	108.7	95.6	86.8	3492	210	80	640	215
700	400	1777	117.1	95.7	86.7	3761	210	80	650	229
750	400	1777	125.5	95.8	86.6	4030	210	80	660	242
830	400	1777	139.0	95.9	86.4	4459	210	80	670	263
850	450	1777	142.0	95.7	86.8	4567	210	90	650	268
900	450	1777	150.4	95.8	86.7	4835	210	90	640	281
950	450	1777	158.7	95.8	86.7	5104	210	80	640	294
1000	450	1777	166.9	95.9	86.7	5373	210	80	630	306
1100	450	1777	183.4	96.0	86.7	5910	210	80	610	330
1200	500	1777	200.3	96.0	86.6	6447	210	70	630	354
1300	500	1777	216.3	96.1	86.8	6985	210	70	620	376
1400	500	1777	231.9	96.3	87.0	7522	210	70	610	398
1500	500	1777	247.7	96.4	87.2	8059	210	70	600	420
1600	500	1777	263.3	96.5	87.4	8596	200	70	600	440
1700	560	1777	284.5	96.1	86.3	9134	220	50	650	460
1800	560	1777	300.5	96.1	86.5	9671	220	50	660	480
1900	560	1777	316.5	96.2	86.6	10208	230	50	670	499
2000	560	1777	332.1	96.3	86.8	10745	230	50	680	517
2100	560	1777	347.5	96.3	87.1	11283	230	50	680	535
2200	560	1777	362.4	96.4	87.4	11820	230	50	690	552
2350	560	1777	384.5	96.5	87.9	12626	230	50	690	577

Rated power	Frame No.	Speed	Rated current	Efficiency	Power factor	Torque	Break down torque	Locked-rotor torque	Locked-rotor current	Max. load inertia
P <sub>N</sub>		n <sub>N</sub>	I <sub>N</sub>	100% load	100% load	T <sub>N</sub>	T <sub>max</sub> / T <sub>N</sub>	T <sub>s</sub> / T <sub>N</sub>	I <sub>s</sub> / I <sub>N</sub>	wk <sup>2</sup>
kW		rpm	A	%	cos Φ [%]	Nm	[%]	[%]	[%]	kgm <sup>2</sup>

### 4.16kV, 60Hz

6-Pole										
150	280	1184	28.6	92.6	78.7	1209	210	140	570	160
170	280	1184	32.1	93.1	79.0	1370	200	130	580	179
200	315	1184	41.5	92.7	72.1	1612	220	100	630	208
250	315	1184	51.3	93.5	72.4	2015	230	90	620	254
325	315	1184	66.1	94.3	72.4	2619	220	90	620	322
350	355	1184	63.3	94.4	81.3	2821	200	80	650	344
400	355	1184	72.2	94.7	81.2	3224	200	80	650	388
450	355	1184	81.0	94.9	81.2	3627	200	80	640	430
510	355	1184	91.7	95.1	81.2	4110	200	80	630	480
550	400	1184	96.5	95.1	83.2	4433	200	80	650	513
600	400	1184	104.8	95.2	83.5	4835	200	80	640	554
690	400	1184	119.4	95.4	84.1	5561	200	80	630	625
700	450	1184	119.6	95.3	85.2	5641	200	70	650	633
750	450	1184	127.6	95.3	85.6	6044	200	70	640	672
800	450	1184	135.2	95.4	86.1	6447	200	70	640	710
850	450	1184	142.5	95.5	86.7	6850	190	60	630	748
900	450	1184	149.8	95.6	87.2	7253	190	60	630	785
950	500	1184	158.8	94.9	87.5	7656	190	60	650	821
1000	500	1184	166.0	95.0	88.0	8059	190	60	650	858
1100	500	1184	180.6	95.2	88.8	8865	180	60	640	929
1200	500	1184	195.5	95.4	89.3	9671	180	60	640	998
1360	500	1184	220.1	95.7	89.6	10960	190	60	630	1106
1400	560	1184	233.9	95.6	86.9	11283	170	70	660	1132
1500	560	1184	250.6	95.7	86.8	12089	170	70	650	1197
1600	560	1184	267.9	95.7	86.6	12895	170	60	650	1261
1700	560	1184	285.0	95.8	86.4	13700	180	60	640	1323
1800	560	1184	301.8	95.8	86.4	14506	180	60	640	1384
1900	560	1184	317.5	95.8	86.7	15312	180	60	630	1444
2000	560	1184	332.7	95.8	87.1	16118	180	60	630	1503
8-Pole										
110	280	888	22.1	92.0	75.1	1182	190	70	610	242
150	315	888	29.6	92.4	76.2	1612	210	70	620	322
200	315	888	38.8	93.1	76.9	2149	190	70	610	419
250	315	888	48.2	93.6	76.9	2686	180	70	600	514
300	355	888	55.5	93.9	79.9	3224	210	80	620	607
360	355	888	65.9	94.3	80.4	3868	210	80	620	716
400	400	888	74.9	94.4	78.5	4298	210	80	630	787
450	400	888	84.1	94.6	78.5	4835	210	80	630	875
540	400	888	100.8	95.0	78.3	5803	220	80	620	1029
550	450	888	97.9	94.9	82.2	5910	200	90	640	1046
600	450	888	106.8	95.0	82.1	6447	200	90	640	1130
650	450	888	115.8	95.1	81.9	6985	200	90	630	1213
700	450	888	124.8	95.2	81.8	7522	200	80	630	1294
770	450	888	136.9	95.4	81.8	8274	200	80	620	1407
800	500	888	141.0	95.3	82.6	8596	200	60	640	1455
850	500	888	149.5	95.4	82.7	9134	200	60	640	1534
900	500	888	158.0	95.5	82.8	9671	190	60	640	1612
950	500	888	166.4	95.6	82.9	10208	190	60	630	1689
1000	500	888	174.5	95.7	83.1	10745	190	60	630	1765
1100	560	888	193.6	95.7	82.4	11820	180	60	640	1915
1200	560	888	209.7	95.9	82.8	12895	180	60	640	2063
1300	560	888	225.6	96.0	83.3	13969	180	60	640	2207
1400	560	888	241.3	96.1	83.8	15044	180	60	630	2349
1500	560	888	257.6	96.1	84.1	16118	180	60	630	2488

\* Note - F/B, Ambient temperature 40°C  
 - Above technical data are only design values and shall be guaranteed with tolerance of applicable standard. (IEC tolerance is applied.)

# LF Series / Performance Data

Leading the World best

## LF Series : 60Hz, 6.6kV

Rated power	Frame No.	Speed	Rated current	Efficiency	Power factor	Torque	Break down torque	Locked-rotor torque	Locked-rotor current	Max. load inertia
P <sub>N</sub>		n <sub>N</sub>	I <sub>N</sub>	100% load	100% load	T <sub>N</sub>	T <sub>max</sub> / T <sub>N</sub>	T <sub>s</sub> / T <sub>N</sub>	I <sub>s</sub> / I <sub>N</sub>	wk <sup>2</sup>
kW		rpm	A	%	cos φ [%]	Nm	[%]	[%]	[%]	kgm <sup>2</sup>

### 6.6kV, 60Hz

2-Pole										
150	280	3553	16.5	93.2	85.1	403	200	50	650	11
180	280	3553	19.7	93.6	85.6	484	210	60	650	13
220	280	3553	23.7	94.1	86.2	591	230	70	630	15
250	315	3553	26.9	94.2	86.3	672	210	90	640	17
300	315	3553	32.0	94.6	86.8	806	220	100	650	20
350	315	3553	37.0	94.9	87.1	940	230	100	650	23
410	315	3553	43.1	95.3	87.4	1101	220	100	650	26
450	355	3553	47.2	95.3	87.5	1209	220	110	670	28
500	355	3553	52.3	95.5	87.6	1343	210	110	660	30
560	355	3553	58.4	95.6	87.8	1504	200	110	650	33
600	400	3553	62.5	95.6	87.8	1612	190	70	630	35
650	400	3553	67.6	95.7	87.9	1746	190	70	620	38
700	400	3553	72.6	95.8	88.1	1880	190	70	620	40
750	400	3553	77.6	95.8	88.2	2015	190	70	610	42
830	400	3553	85.5	96.0	88.5	2230	190	80	610	45
850	450	3553	87.7	95.8	88.5	2283	190	80	640	46
900	450	3553	92.6	95.9	88.7	2418	190	80	640	48
950	450	3553	97.4	96.0	88.9	2552	190	70	640	50
1000	450	3553	102.3	96.0	89.1	2686	190	70	640	52
1140	450	3553	115.7	96.1	89.7	3062	190	70	630	57
1200	500	3553	121.9	96.0	89.7	3224	210	70	650	59
1300	500	3553	131.6	96.0	90.0	3492	210	70	630	63
1400	500	3553	141.3	96.1	90.2	3761	200	70	610	66
1560	500	3553	156.1	96.4	90.7	4191	210	70	610	71
4-Pole										
150	280	1777	17.6	93.0	80.2	806	240	120	650	59
180	280	1777	20.8	93.6	80.8	967	230	120	620	70
220	280	1777	25.2	94.2	81.0	1182	210	130	600	84
250	315	1777	29.0	93.5	80.6	1343	220	80	650	94
300	315	1777	34.1	94.0	81.8	1612	210	90	640	110
350	315	1777	39.4	94.4	82.4	1880	210	90	630	126
440	315	1777	49.1	95.0	82.6	2364	220	90	630	154
450	355	1777	48.7	94.8	85.3	2418	200	100	640	157
500	355	1777	53.7	95.0	85.7	2686	210	100	640	172
550	355	1777	58.8	95.1	86.0	2955	210	100	630	187
640	355	1777	68.2	95.3	86.1	3439	220	90	630	212
650	400	1777	68.5	95.6	86.8	3492	210	80	640	215
700	400	1777	73.8	95.7	86.7	3761	210	80	650	229
750	400	1777	79.1	95.8	86.6	4030	210	80	660	242
830	400	1777	87.6	95.9	86.4	4459	210	80	670	263
850	450	1777	89.5	95.7	86.8	4567	210	90	650	268
900	450	1777	94.8	95.8	86.7	4835	210	90	640	281
950	450	1777	100.1	95.8	86.7	5104	210	80	640	294
1000	450	1777	105.2	95.9	86.7	5373	210	80	630	306
1100	450	1777	115.6	96.0	86.7	5910	210	80	610	330
1200	500	1777	126.3	96.0	86.6	6447	210	70	630	354
1300	500	1777	136.3	96.1	86.8	6985	210	70	620	376
1400	500	1777	146.2	96.3	87.0	7522	210	70	610	398
1500	500	1777	156.1	96.4	87.2	8059	210	70	600	420
1600	500	1777	165.9	96.5	87.4	8596	200	70	600	440
1700	560	1777	179.3	96.1	86.3	9134	220	50	650	460
1800	560	1777	189.4	96.1	86.5	9671	220	50	660	480
1900	560	1777	199.5	96.2	86.6	10208	230	50	670	499
2000	560	1777	209.3	96.3	86.8	10745	230	50	680	517
2100	560	1777	219.0	96.3	87.1	11283	230	50	680	535
2200	560	1777	228.4	96.4	87.4	11820	230	50	690	552
2350	560	1777	242.4	96.5	87.9	12626	230	50	690	577

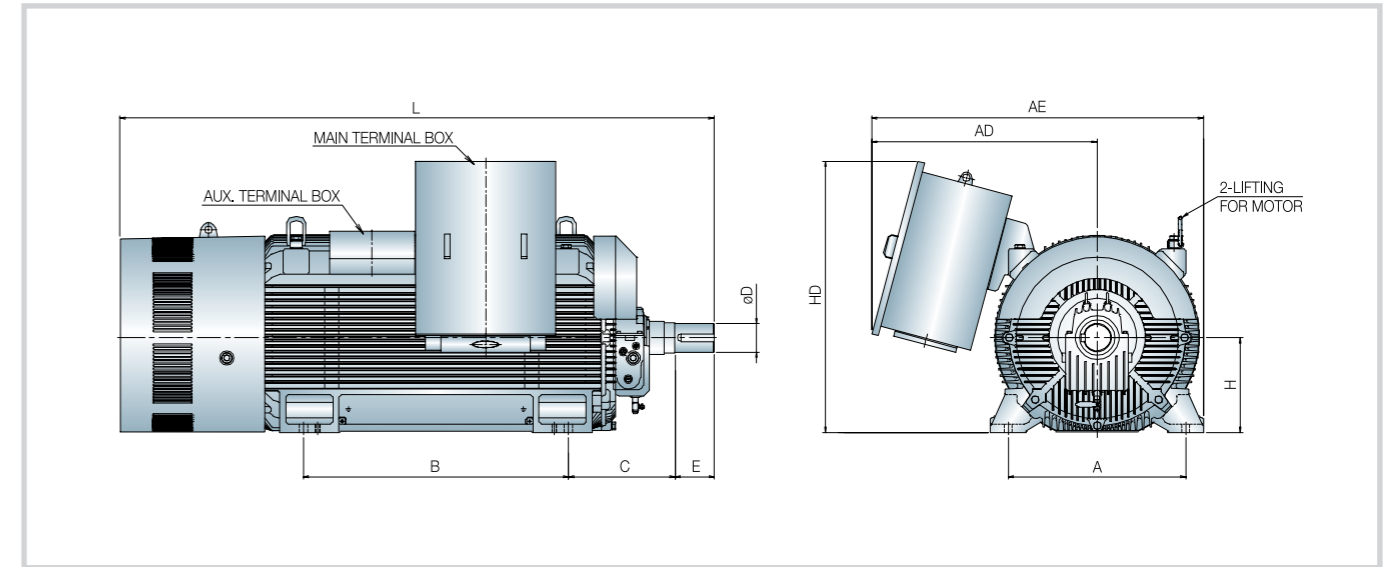
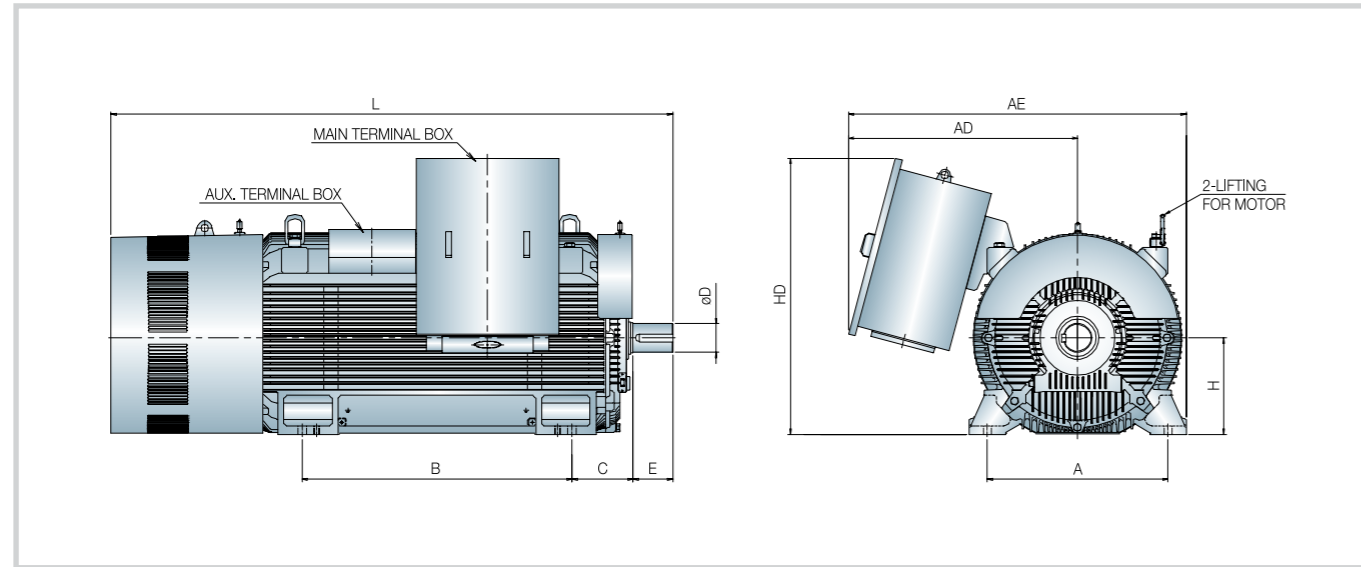
Rated power	Frame No.	Speed	Rated current	Efficiency	Power factor	Torque	Break down torque	Locked-rotor torque	Locked-rotor current	Max. load inertia
P <sub>N</sub>		n <sub>N</sub>	I <sub>N</sub>	100% load	100% load	T <sub>N</sub>	T <sub>max</sub> / T <sub>N</sub>	T <sub>s</sub> / T <sub>N</sub>	I <sub>s</sub> / I <sub>N</sub>	wk <sup>2</sup>
kW		rpm	A	%	cos φ [%]	Nm	[%]	[%]	[%]	kgm <sup>2</sup>

### 6.6kV, 60Hz

6-Pole										
150	280	1184	18.0	92.6	78.7	1209	210	140	570	160
170	280	1184	20.2	93.1	79.0	1370	200	130	580	179
200	315	1184	26.2	92.7	72.1	1612	220	100	630	208
250	315	1184	32.3	93.5	72.4	2015	230	90	620	254
325	315	1184	41.6	94.3	72.4	2619	220	90	620	322
350	355	1184	39.9	94.4	81.3	2821	200	80	650	344
400	355	1184	45.5	94.7	81.2	3224	200	80	650	388
450	355	1184	51.1	94.9	81.2	3627	200	80	640	430
510	355	1184	57.8	95.1	81.2	4110	200	80	630	480
550	400	1184	60.8	95.1	83.2	4433	200	80	650	513
600	400	1184	66.0	95.2	83.5	4835	200	80	640	554
690	400	1184	75.2	95.4	84.1	5561	200	80	630	625
700	450	1184	75.4	95.3	85.2	5641	200	70	650	633
750	450	1184	80.4	95.3	85.6	6044	200	70	640	672
800	450	1184	85.2	95.4	86.1	6447	200	70	640	710
850	450	1184	89.8	95.5	86.7	6850	190	60	630	748
900	450	1184	94.4	95.6	87.2	7253	190	60	630	785
950	500	1184	100.1	94.9	87.5	7656	190	60	650	821
1000	500	1184	104.6	95.0	88.0	8059	190	60	650	858
1100	500	1184	113.8	95.2	88.8	8865	180	60	640	929
1200	500	1184	123.2	95.4	89.3	9671	180	60	640	998
1360	500	1184	138.7	95.7	89.6	10960	190	60	630	1106
1400	560	1184	147.4	95.6	86.9	11283	170	70	660	1132
1500	560	1184	158.0	95.7	86.8	12089	170	70	650	1197
1600	560	1184	168.9	95.7	86.6	12895	170	60	650	1261
1700	560	1184	179.7	95.8	86.4	13700	180	60	640	1323
1800	560	1184	190.2	95.8	86.4	14506	180	60	640	1384
1900	560	1184	200.1	95.8	86.7	15312	180	60	630	1444
2000	560	1184	209.7	95.8	87.1	16118	180	60	630	1503
8-Pole										
110	280	888	13.9	92.0	75.1	1182	190	70	610	242
150	315	888	18.6	92.4	76.2	1612	210	70	620	322
200	315	888	24.4	93.1	76.9	2149	190	70	610	419
250	315	888	30.4	93.6	76.9	2686	180	70	600	514
300	355	888	35.0	93.9	79.9	3224	210	80	620	607
360	355	888	41.5	94.3	80.4	3868	210	80	620	716
400	400	888	47.2	94.4	78.5	4298	210	80	630	787
450	400	888	53.0	94.6	78.5	4835	210	80	630	875
540	400	888	63.5	95.0	78.3	5803	220	80	620	1029
550	450	888	61.7	94.9	82.2	5910	200	90	640	1046
600	450	888	67.3	95.0	82.1	6447	200	90	640	1130
650	450	888	73.0	95.1	81.9	6985	200	90	630	1213
700	450	888	78.6	95.2	81.8	7522	200	80	630	1294
770	450	888	86.3	95.4	81.8	8274	200	80	620	1407
800	500	888	88.9	95.3	82.6	8596	200	60	640	1455
850	500	888	94.2	95.4	82.7	9134	200	60	640	1534
900	500	888	99.6	95.5	82.8	9671	190	60	640	1612
950	500	888	104.9	95.6	82.9	10208	190	60	630	1689
1000	500	888	110.0	95.7	83.1	10745	190	60	630	1765
1100	560	888	122.0	95.7	82.4	11820	180	60	640	1915
1200	560	888	132.2	95.9	82.8	12895	180	60	640	2063
1300	560	888	142.2	96.0	83.3	13969	180	60	640	2207
1400	560	888	152.1	96.1	83.8	15044	180	60	630	2349
1500	560	888	162.4	96.1	84.1	16118	180	60	630	2488

\* Note - F/B, Ambient temperature 40°C  
 - Above technical data are only design values and shall be guaranteed with tolerance of applicable standard. (IEC tolerance is applied.)

## Outline Dimension Drawing



### Bearing type : Anti-friction bearing

Frame No.	Weight kg	Dimensions									
		A mm	AD mm	AE mm	B mm	C mm	D mm	E mm	H mm	HD mm	L mm
2P											
280	1450	560	905	1275	840	190	70	105	280	1000	1850
315	2250	610	900	1265	900	200	70	105	315	1010	2100
355	2800	686	945	1360	1000	224	75	105	355	1100	2250
4P											
280	1500	560	905	1275	840	190	85	130	280	1000	1700
315	2300	610	900	1265	900	200	90	130	315	1010	2000
355	3000	686	945	1350	1000	224	100	165	355	1100	2250
400	4050	750	960	1410	1120	254	120	165	400	1150	2460
450	5550	850	1005	1520	1250	280	130	200	450	1250	2710
500	7050	950	1085	1650	1320	315	140	200	500	1350	3000
560	9950	1060	1110	1745	1400	335	160	240	560	1450	3250
6P											
280	1500	560	905	1275	840	190	85	130	280	1000	1700
315	2300	610	900	1265	900	200	90	130	315	1010	2000
355	3000	686	945	1350	1000	224	100	165	355	1100	2250
400	4050	750	960	1410	1120	254	120	165	400	1150	2460
450	5550	850	1005	1520	1250	280	130	200	450	1250	2710
500	7050	950	1085	1650	1320	315	140	200	500	1350	3000
560	9950	1060	1110	1745	1400	335	160	240	560	1450	3250
8P											
280	1500	560	905	1275	840	190	85	130	280	1000	1700
315	2300	610	900	1265	900	200	90	130	315	1010	2000
355	3000	686	945	1350	1000	224	100	165	355	1100	2250
400	4050	750	960	1410	1120	254	120	165	400	1150	2460
450	5550	850	1005	1520	1250	280	130	200	450	1250	2710
500	7050	950	1085	1650	1320	315	140	200	500	1350	3000
560	9950	1060	1110	1745	1400	335	160	240	560	1450	3250

### Bearing type : Sleeve bearing

Frame No.	Weight kg	Dimensions									
		A mm	AD mm	AE. mm	B mm	C mm	D mm	E mm	H mm	HD mm	L mm
2P											
315	2350	610	900	1265	900	375	70	105	315	1010	2300
355	2900	686	945	1360	1000	400	75	105	355	1100	2500
400	3850	750	960	1410	1120	425	85	130	400	1150	2800
450	5450	850	1005	1520	1250	475	95	130	450	1250	3200
500	6950	950	1085	1650	1320	500	110	165	500	1350	3280
560											
4P											
315	2400	610	900	1265	900	375	90	130	315	1010	2200
355	3100	686	945	1360	1000	400	100	165	355	1100	2500
400	4150	750	960	1410	1120	450	120	165	400	1150	2650
450	5650	850	1005	1520	1250	475	130	200	450	1250	2900
500	7250	950	1085	1650	1320	500	140	200	500	1350	3290
560	10300	1060	1110	1745	1400	560	160	240	560	1450	3400
6P											
315	2400	610	900	1265	900	375	90	130	315	1010	2200
355	3100	686	945	1360	1000	400	100	165	355	1100	2500
400	4150	750	960	1410	1120	450	120	165	400	1150	2650
450	5650	850	1005	1520	1250	475	130	200	450	1250	2900
500	7250	950	1085	1650	1320	500	140	200	500	1350	3290
560	10300	1060	1110	1745	1400	560	160	240	560	1450	3400
8P											
315	2400	610	900	1265	900	375	90	130	315	1010	2200
355	3100	686	945	1360	1000	400	100	165	355	1100	2500
400	4150	750	960	1410	1120	450	120	165	400	1150	2650
450	5650	850	1005	1520	1250	475	130	200	450	1250	2900
500	7250	950	1085	1650	1320	500	140	200	500	1350	3290
560	10300	1060	1110	1745	1400	560	160	240	560	1450	3400